



# MODEL-SCI-300A(H)

## 300 KG ICE MAKER



### Features

#### Production

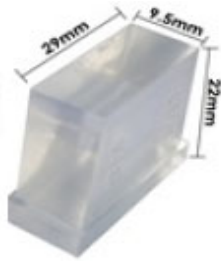
- Produces 300 Kg of Ice in 24 Hours\*
- \* See Capacity Production Parameters

#### Ice Storage

- External Ice Storage Required
  - Option 1 - SCI-235B - 150 Kgs
  - Option 2 - ICI-200GB - 230 Kg
- Featuring high density urethane foam insulation to maximise Ice longevity

#### Stainless Steel Exterior

- Durable & Rustless 304 Stainless Steel



#### Half Dice Cube (SCI-300AH)

#### Warranty

- 2 Years on all Parts and Labour

#### Operating Parameters

- Self Contained Refrigeration
- Improved Freezing Surface Technology
- Electronic Control System with Diagnostics



#### Full Dice Cube (SCI-300A)



KEEPING COOL SINCE 1988

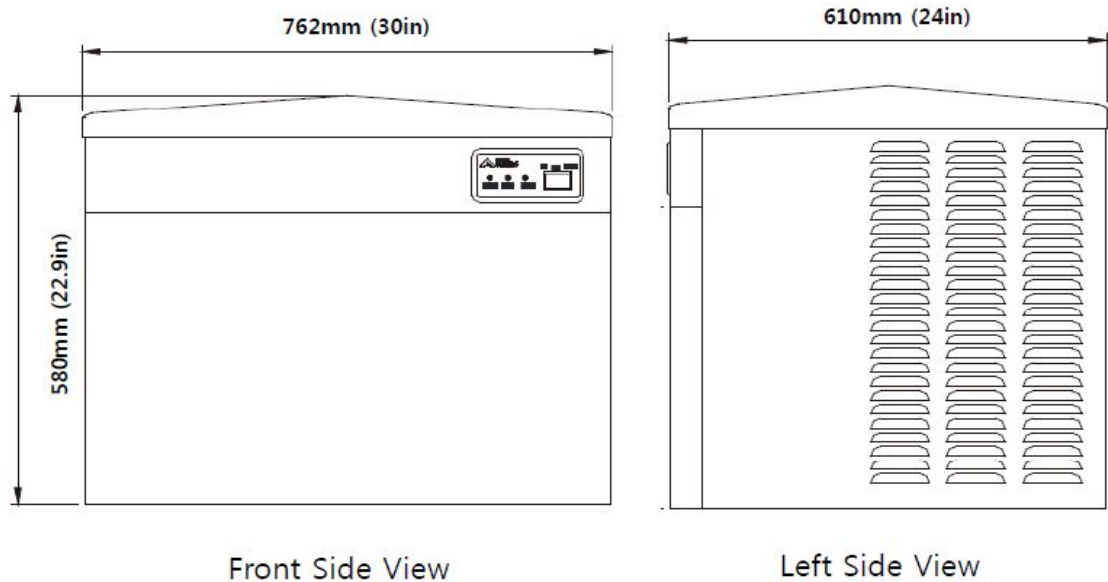
Rob Adam Refrigeration  
Pty Ltd  
2/78 Harley Crescent  
Condell Park NSW 2200

Contact  
p – 02 9707 3337  
e – info@rar.com.au  
w – www.rar.com.au

ABN – 59 000 692 553

Refrigerant Handling Authority License – AU 01433

## Drawings



## Exterior Dimensions

Dimensions	Machine		Packaged	
	mm	inch	mm	inch
Width	762	30	825	25.6
Depth	610	24	675	28
Height	580	22.9	765	28.8

## Weight

Weight	Machine	Packaged
Kgs	75	85
	-	0.5

## Electrical Specifications

Power Consumption	2,500 watts
Voltage	220-240V/50Hz/1PH
Voltage Range	+/- 10%

## Refrigerant Specifications

Compressor	1.5 HP - 18,000 BTU/h - Aspero
Refrigerant	R404A
Condenser	Air Cooled / Water Cooled

\*BTUs may vary depending on compressor used

## Capacity Production Parameters

Production	300 Kg per 24 hours*
Storage Bin	External - 150 or 230 Kg Options
Ice Cubes	Full 140 per cycle - Half 360 per cycle
Ambient Temp	* based on 20 degrees Celcius
Water Temp	* based on 10 degrees Celcius

\*Production will vary dependant upon on temperatures

## Operating Limits

Ambient Temp Range	10 to 38 Degrees Celcius
Water Temp Range	10 to 32 Degrees Celcius
Water Pressure	20 to 80 psi (1.38 to .52 bar)