



MODEL-SCI-200A(H)

200 KG ICE MAKER



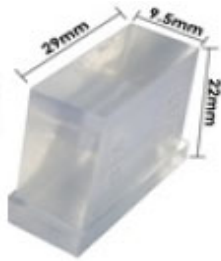
Features

Production

- Produces 200 Kg of Ice in 24 Hours*
- * See Capacity Production Parameters

Ice Storage

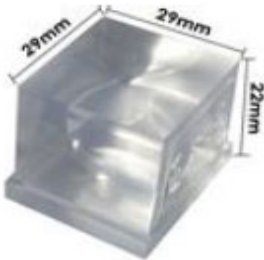
- External Ice Storage Required
 - Option 1 - SCI-235B - 150 Kgs
 - Option 2 - ICI-200GB - 230 Kg
- Featuring high density urethane foam insulation to maximise Ice longevity



Half Dice Cube (SCI-200AH)

Warranty

- 2 Years on all Parts and Labour



Full Dice Cube (SCI-200A)

Operating Parameters

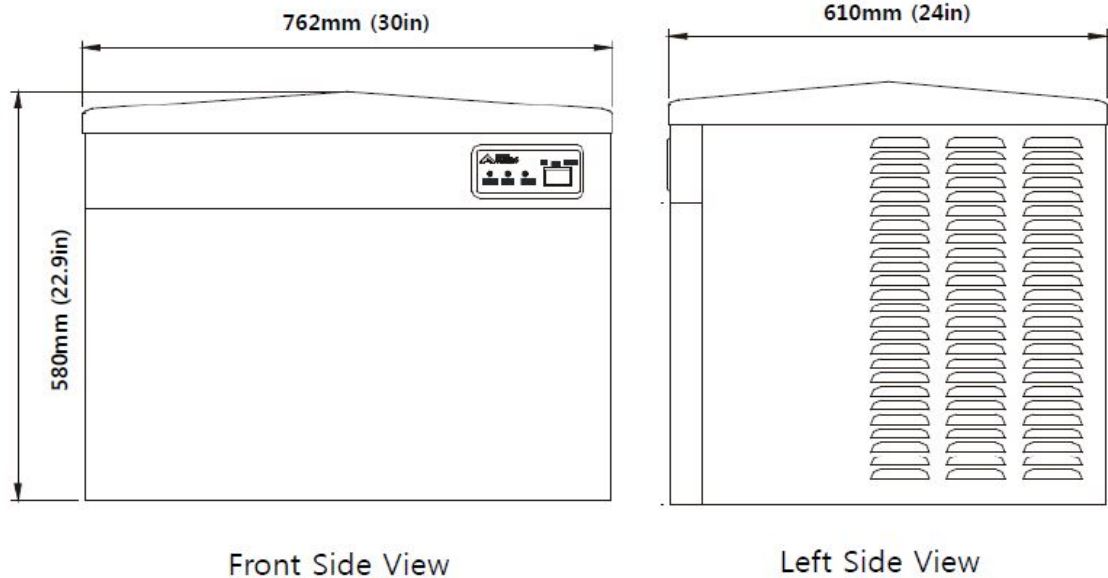
- Self Contained Refrigeration
- Improved Freezing Surface Technology
- Electronic Control System with Diagnostics



Rob Adam Refrigeration
Pty Ltd
2/78 Harley Crescent
Condell Park NSW 2200

Contact
p – 02 9707 3337
e – info@rar.com.au
w – www.rar.com.au

Drawings



Exterior Dimensions

Dimensions	Machine		Packaged	
	mm	inch	mm	inch
Width	762	30	825	25.6
Depth	610	24	675	28
Height	580	22.9	765	28.8

Weight / Volume

Measure	Machine	Packaged
Kgs	75	85
Cubic Metre	-	0.5

Electrical Specifications

Power Consumption	1250 watts
Voltage	220-240V/50Hz/1PH
Voltage Range	+/- 10%

Refrigerant Specifications

Compressor	1.0 HP - 12,800 BTU/h - Aspero
Refrigerant	R404A
Condenser	Air Cooled / Water Cooled

*BTUs may vary depending on compressor used

Capacity Production Parameters

Production	200 Kgper 24 hours*
Storage Bin	External - 150 or 230 Kg Options
Ice Cubes	Full 140 per cycle - Half 360 per cycle
Ambient Temp	* based on 20 degrees Celcius
Water Temp	* based on 10 degrees Celcius

*Production will vary dependant upon on temperatures

Operating Limits

Ambient Temp Range	10 to 38 Degrees Celcius
Water Temp Range	10 to 32 Degrees Celcius
Water Pressure	20 to 80 psi (1.38 to .52 bar)